

PLASTER | LR

BENDABLE

LL-PR-PLB-7030BLRS

47x17

Finish

Profile Colour	<u>Clear Silver (Anodised) - stocked</u> White (Painted) - indent* Black (Anodised) - indent* Custom Powder Coating - indent*
End Cap Colour	<u>White - stocked</u> Grey - indent* Black - indent* Silver - indent*

Light Transmission

Lens (Cover)	Clear (100% light transmission) - indent* Opal (40~30% light transmission) - indent* <u>Diffused (80~70% light transmission) - stocked</u> Black - indent*
---------------------	---

Material

Profile	Aluminium: 6063-T5 Anodised Thickness: 10µm
Cover	Polycarbonate (fire rating: V2) UV Resistant
End Caps	Polycarbonate (fire rating: V2) UV Resistant
Pendant Kit	Stainless Steel

Dimensions

Width (overall)	46.5 mm
Height (overall)	17.1 mm
Max LED tape width	Contact us for advice (mount on the vertical)
Length	3.0 m

Accessories

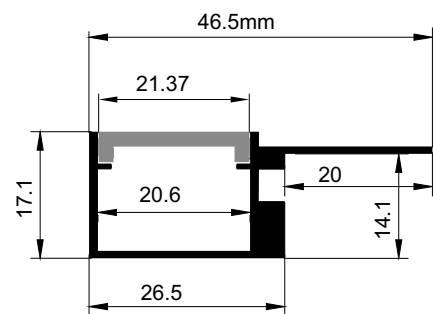
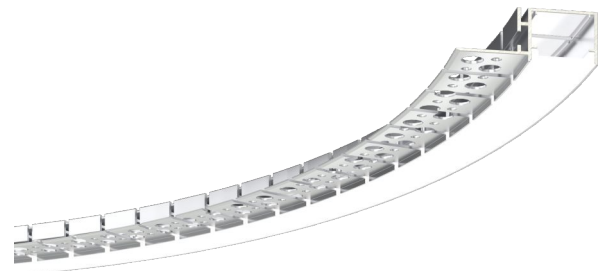
Suspension Kit	None
End Caps	Blank & cable entry hole
Mounting Clips	None

* Indent items are available but may incur minimum order quantities and long lead times. Please contact us.

ALUMINIUM FINISH



COVER TYPES



PLASTER | LR

BENDABLE

LL-PR-PLB-7030BLRS

47x17

