

SURFACE

HANGING
LL-PR-HG-5075

50x75

LINEAR LUX
LED LIGHTING SOLUTIONS



Type

Mounting	Hanging
Lens (Cover)	Diffused (80~70% light transmission) - stocked* Opal (40~30% light transmission) - optional*
Profile Colour	Oxidised Black - stocked Painted White - stocked Custom Powder Coating - optional*
End Cap Colour	Black - stocked White - stocked

Material

Profile	Aluminium: 6063-T5 Anodised Thickness: 10µm
Cover	Polycarbonate (fire rating: V2) UV Resistant
End Caps	Polycarbonate (fire rating: V2) UV Resistant
Pendant Kit	Stainless Steel

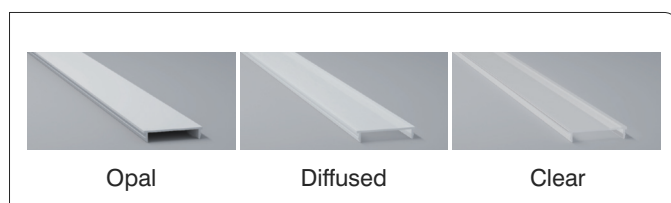
Dimensions

Width (outer)	50.0 mm
Height (outer)	75.0 mm
Width (inner)	46.8 mm
Length	3 m
Max LED tape width	45.0 mm

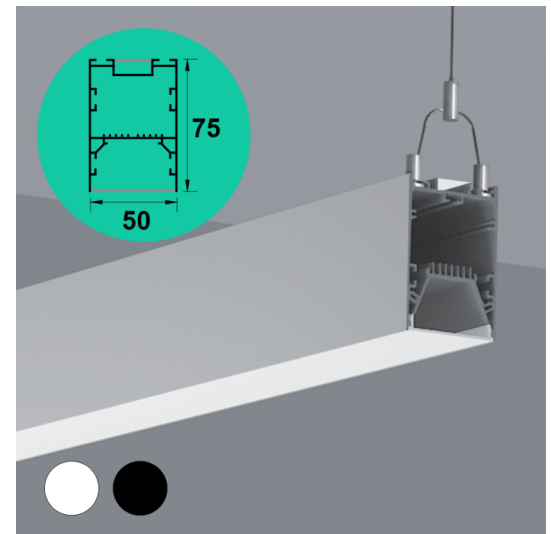
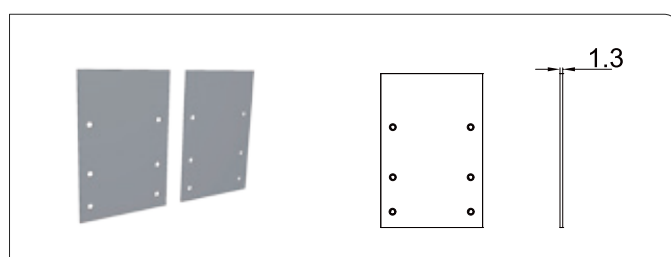
Accessories

Pendant Kit	Hanging Wire Kit
End Caps	3 pairs (3x with cable entry, 3x blank)

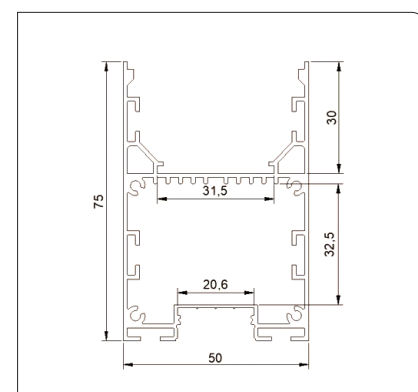
Lens Types



End Cap



Profile Dimensions



Mounting Clip

