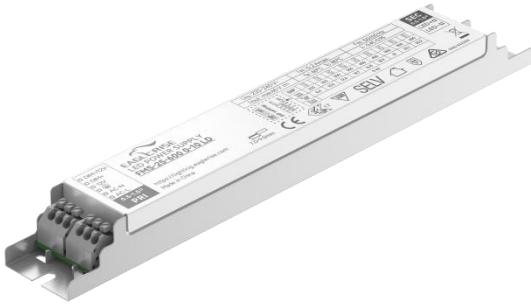


25W 0-10V Dimming power supply



■ Approve



Features

- Class I, SELV , Built-in
- Input Voltage 220-240VAC
- Protections: SCP/OLP/OVP
- Power Factor :0.4C-0.95
- Efficiency : 85%
- Support 0-10V Dimming
- 5 years warranty
- IP20

Applications

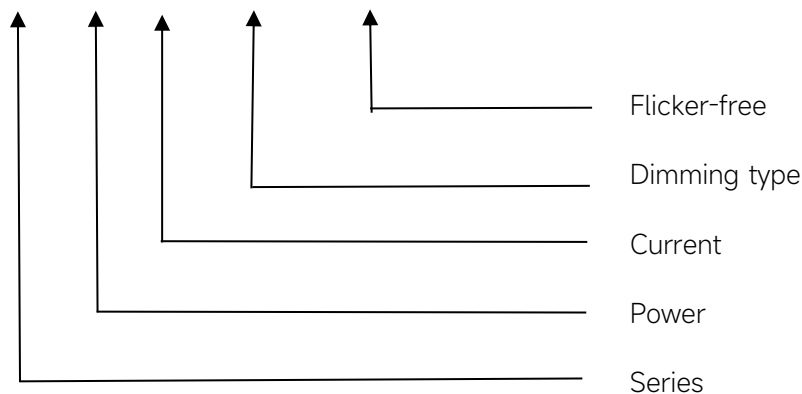
- LED panel light

◆ Description

FMS-25-600 0-10 LD is a 25W constant current LED driver that operates from 198-264Vac input with 200 to 600mA output current and a forward voltage range from 9 to 42Vdc. The output current is adjustable by DIP Switch. With it's compact dimensions from 220 x 30 x 21mm. It is easy to integrate in LED Panel products. To ensure trouble-free operation, it provides protection against output short circuit, overload and over Voltage.

◆ Model code

FMS-25-600 0-10 LD



◆ Specification

	Constant Current (mA)	200mA	250mA	300mA	...	600mA
Output	Voltage Range(VDC)	9-42V				
	Unload voltage Max.(VDC)	60V				
	Current Accuracy	±5%				
	Output HF current ripple(≥1KHz)	±5%				
	Output LF current ripple(≤120Hz)	±5%				
	Auxiliary Output Voltage	12V				
	Auxiliary Output Current	50 mA				
	SVM	≤0.4				
	Pst	≤1				
	Efficiency(Typ.)	85%@full Load,220-240V				
	Input	Rated input voltage(VAC)	220-240VAC			
Range of input voltage(VAC)		198-264VAC				
Range of input voltage(VDC)		176-280VDC				
Frequency(Hz)		0/50/60 Hz				
Displacement factor		> 0.9				
Power Factor		0.4C-0.95				
Input Current max		0.2A				
Start-up time		< 0.5S				
No Load Power		≤0.5W				
Standby Power		≤0.5W				
Network standby power		≤0.5W				
THD (Typ.)		<10%@full Load,220-240V				
Dimming	Dimming	YES				
	Dimming mode	0-10V				
	Dimming depth	1%				
	Dimming current range	1-100%				
Protection	Over Load Protection	103-130%				
		YES/Auto Resume				
	Over Voltage Protection	60VDC YES/Auto Resume				
Short circuit Protection	YES/Auto Resume					
Environment	Operating Temperature	-20°C...+60°C				
	Humidity	20%-90%RH				
	Tc	80°C				
	Storage Temperature	-25°C...+60°C				
	Life time	>50000h@Tc=80°C				

Surface	Dimension	220 x 30 x 21mm
Standards	IEC61347- 1, IEC61347-2- 13;EN61347- 1, EN61347-2- 13;EN61347- 1, EN61347-2- 13, EN62384; GB/T17743, GB17625. 1;GB19510. 1, GB19510. 14;EN55015, EN61000-3-2, EN61000-3-3, EN61547; BS EN IEC 55015, BS EN IEC 61000-3-2, BS EN 61000-3-3, BS EN 61547	
Others	ErP	EU 2019/2020
	RoHS	RoHS (2011/65/EU) (EU)2015/863
Note	1.All parameters not specially mentioned are measured at 230VAC input , full load and 25°C of ambient temperature. 2.Ripple & Noise are measured at 20MHz of bandwidth by using a 300mm twisted pair-wire terminated with a 0.1uF & 47 uF parallel capacitor.	

◆ Parameter

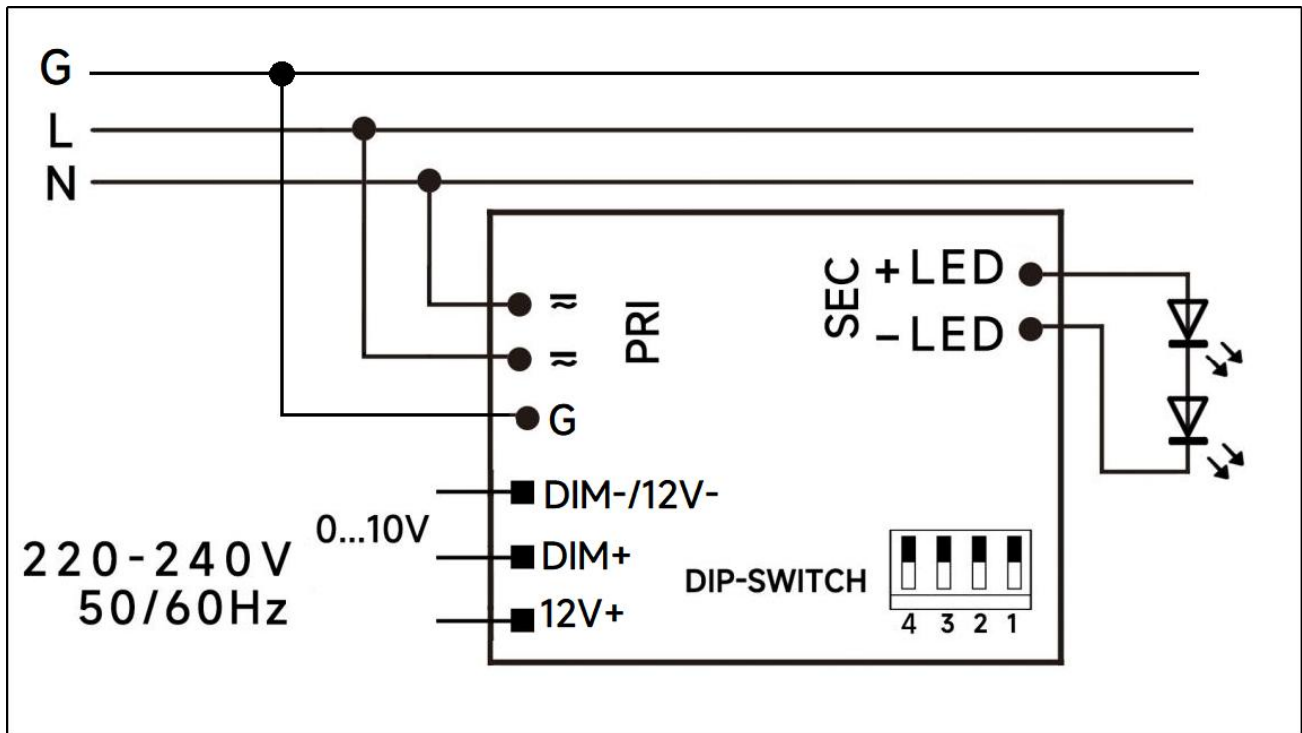
Number	Output				Switch position			
	Current (mA)	Voltage (VDC)	Voltage No load (VDC)	Power (W)	1	2	3	4
1	200mA	9-42V	60V	8.4	--	--	--	--
2	250mA			10.5	--	--	--	ON
3	300mA			12.6	--	--	ON	--
4	350mA			14.7	--	--	ON	ON
5	400mA			16.8	--	ON	--	--
6	450mA			18.9	--	ON	--	ON
7	500mA			21	--	ON	ON	--
8	550mA			23.1	--	ON	ON	ON
*9	600mA			25.2	ON	ON	ON	ON

* Factory default

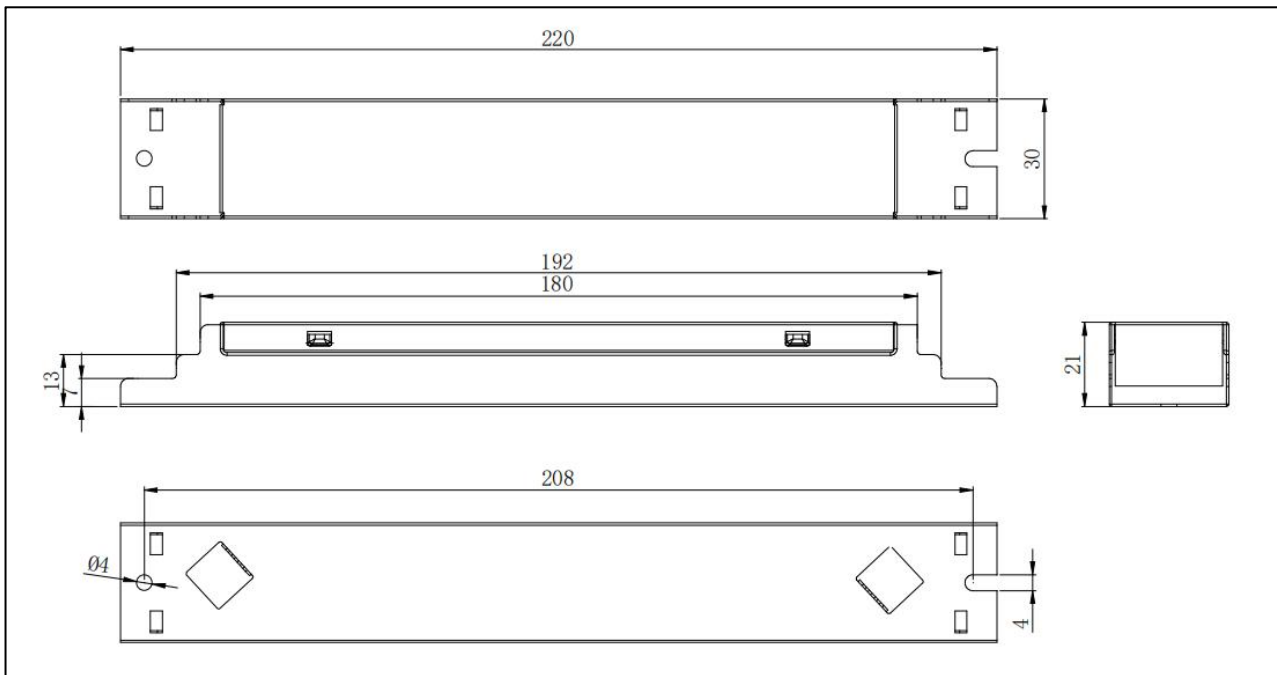
◆ Circuit Breaker

I ^{peak}	T ^{width}	B10	B16	B20	C10	C16	C20
13.2A	106μs	40pcs	64pcs	80pcs	40pcs	64pcs	80pcs

◆ Wiring diagram



◆ 2D diagram

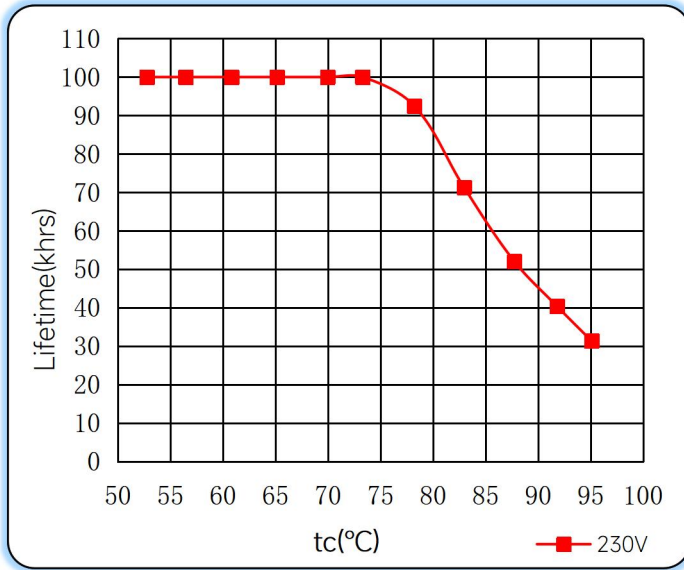


◆ Wiring & Connections

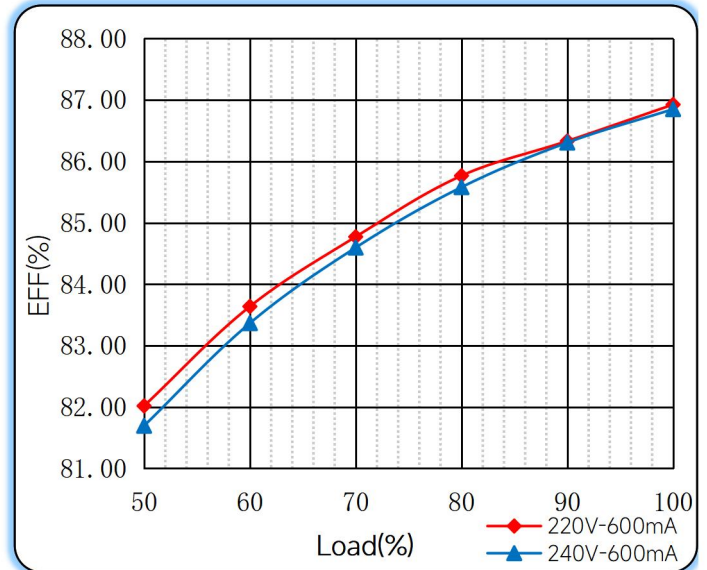
	Specification item	Value (Unit)
Input	Input wire cross-section	0.5...1.5 mm ²
	Input wire gauge.	16...20 AWG
	Input wire strip length	7...9mm
Output	Output wire cross-section	0.5...1.5 mm ²
	Output wire gauge.	16...20 AWG
	Output wire strip length	7...9mm

◆ **Curve for FMS-25-600 0-10 LD, I_o=600mA**

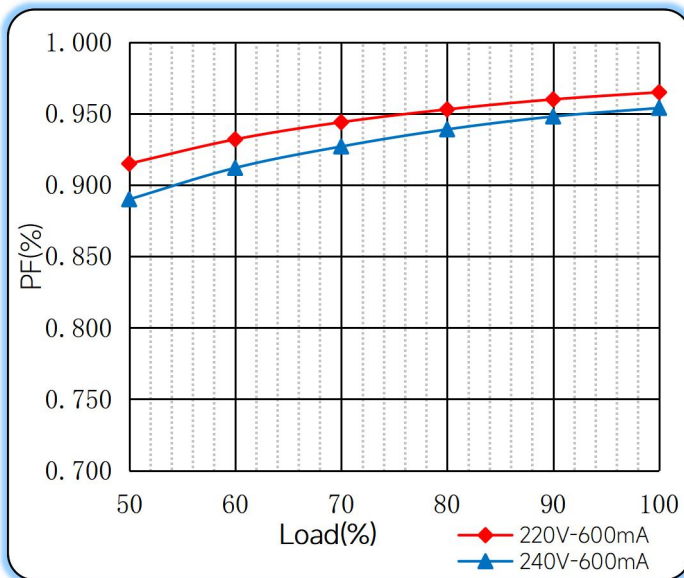
Lifetime vs. Temperature Curve



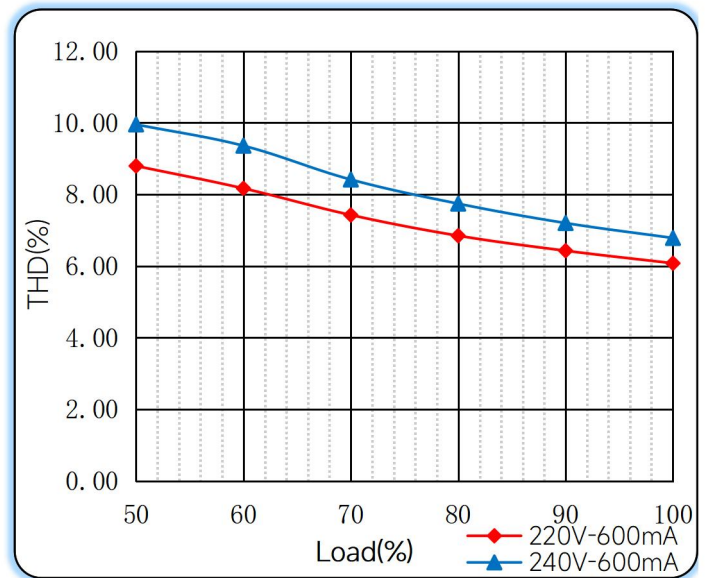
Efficiency vs. Load



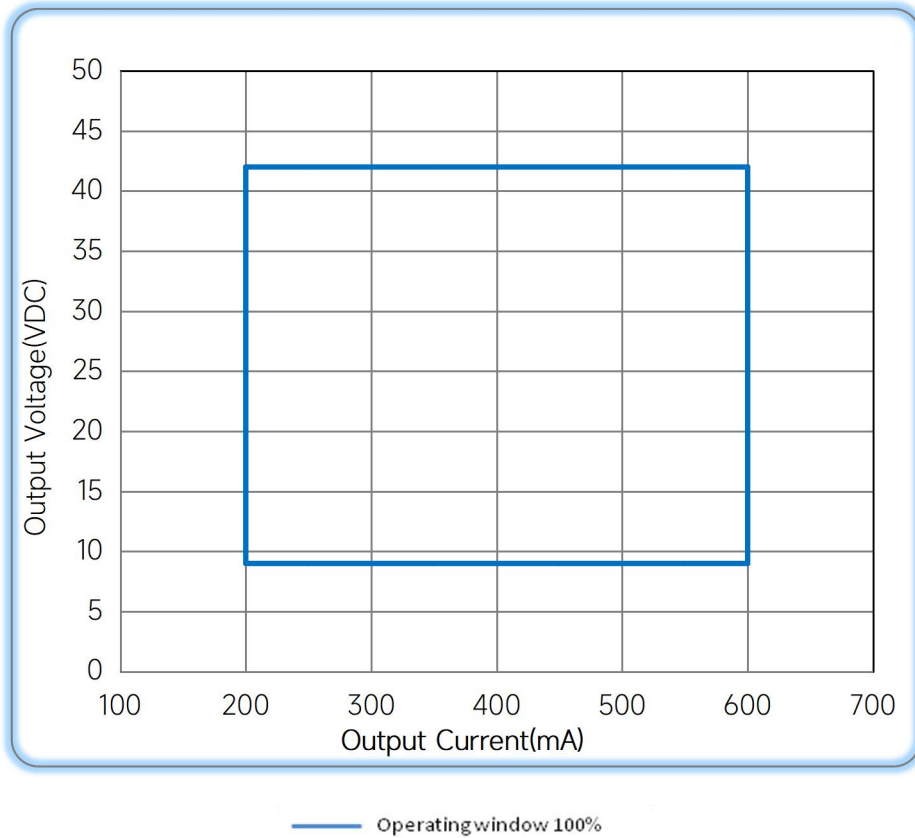
Power Factor Characteristics



THD vs. Load



◆ **Operating window**



◆ **Revision Updates**

ITEM	BEFORE	AFTER	VERSION	DATE
Initial			A	2023/01/11
Specification		Updated	B	2023/02/14

Tel: +86-0757-86256822, +86-0757-86256831

E-mail: sales@eaglerise.com

Website : <https://lighting.eaglerise.com>



EAGLERISE



Manual