



### Type

<b>Mounting</b>	Hanging
<b>Lens (Cover)</b>	Opal (40~30% light transmission) - optional Diffused (80~70% light transmission) - stocked
<b>Profile Colour</b>	Oxidised Silver - optional Oxidised Black - stocked Painted White - stocked Custom Powder Coating - optional*
<b>End Cap Colour</b>	Black - stocked White - stocked Silver - optional*

### Material

<b>Profile</b>	Aluminium: 6063-T5 Anodised Thickness: 10µm
<b>Cover</b>	Polycarbonate (fire rating: V2) UV Resistant
<b>End Caps</b>	Polycarbonate (fire rating: V2) UV Resistant
<b>Pendant Kit</b>	Stainless Steel

### Dimensions

<b>Width (outer)</b>	50.0 mm
<b>Height (outer)</b>	37.1 mm
<b>Width (inner)</b>	45.0 mm
<b>Length</b>	3 m
<b>Max LED tape width</b>	38.0 mm

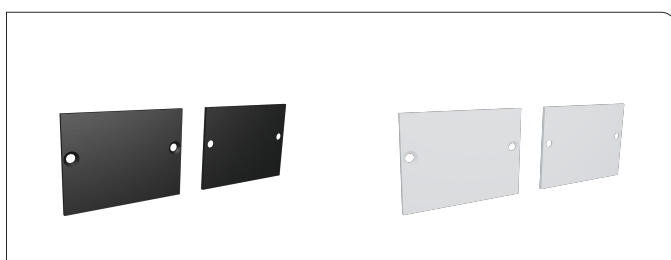
### Accessories

<b>Pendant Kit</b>	Hanging Wire Kit
<b>End Caps</b>	3 pairs (3x with cable entry, 3x blank)

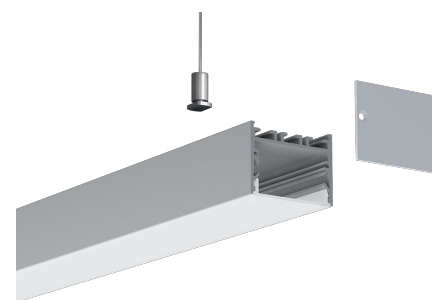
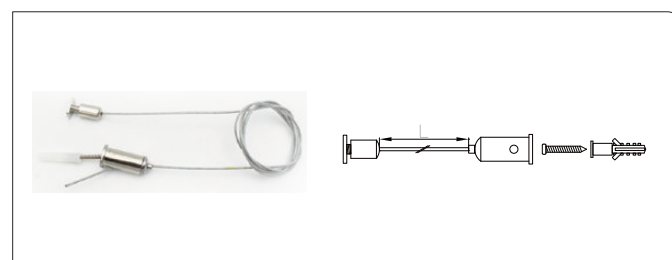
### Lens Types



### End Cap



### Mounting Clip



### Profile Dimensions

