

# DIMMABLE CONSTANT VOLTAGE LINEAR LED DRIVER

TRIAC (PHASE CUT)

SMT-024-150VTHWH

## 150W

**LINEAR LUX**  
LED LIGHTING SOLUTIONS



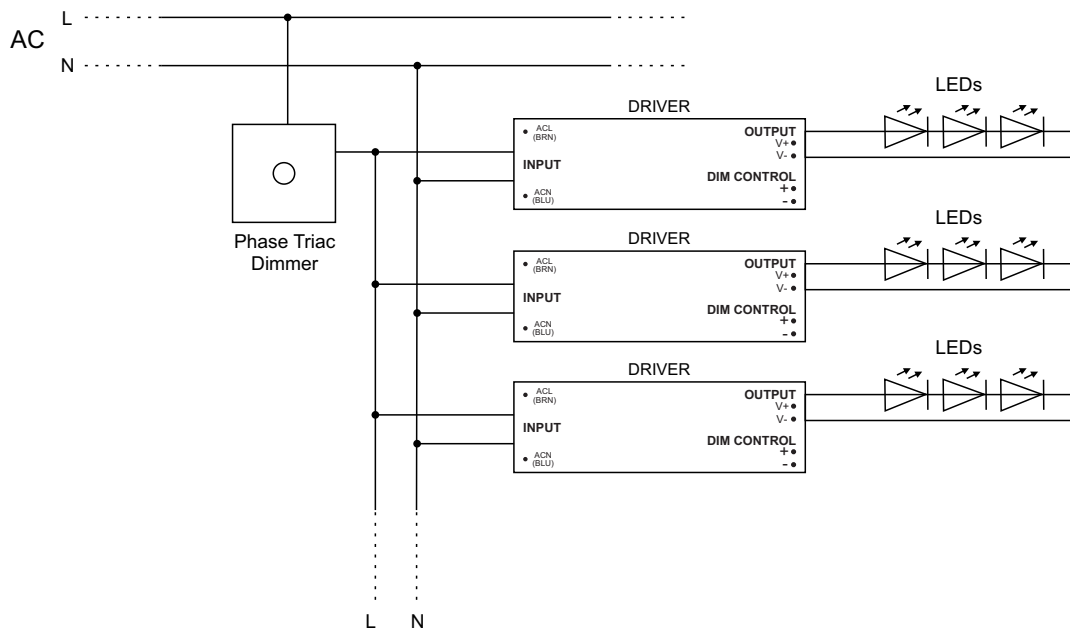
- Constant voltage 24V DC
- Dimming range: 0~100% / Load: 10~100%
- Dimming type: Triac /phase cut, (leading or trailing edge dimmers)
- PWM output
- Flicker free
- 7 year warranty
- Cooling by free air convection
- IP67 (indoor / outdoor use)
- Built-in PFC

OUTPUT	Voltage	24 VDC
	Voltage Tolerance	± 5%
	Rated Power	150 W
	Rated Current	6.25 A
	Voltage Regulation	N/A
	Load Regulation	N/A
INPUT	Voltage	200-240 VAC
	Frequency Range	47-63 Hz
	Power Factor (Typ.)	PF ≥0.97 / 230 VAC
	Full Load Efficiency	87%
	THD (Typ.) @ Full Load	< 10%
	AC Current (Typ.)	1.2 A
	Inrush Current (Typ.)	72A, 50%, 116 μs
	Leakage Current (Typ.)	<0.5mA
PROTECTION	Short Circuit	Shut down output voltage, repower to recover after fault removed
	Over Load	≤ 120% hiccup mode, recovers automatically after fault removed
	Over Temperature	Tc ≥ 100°C ±10°C
	Protection Class	II
ENVIRONMENT	Operating Temperature	-40 - +60°C see derating curve
	Operating Humidity	20 - 95% RH, non condensing
	Storage Temperature	-40 - +80°C see derating curve
	Storage Humidity	10 - 95% RH, non condensing
	Temp. Coefficient	± 0.03% / °C (0-50°C)
	Vibration	10 - 500Hz, 2G 10min./1 cycle period for 60min, each along X, Y & Z a
SAFETY & EMC	Safety Standards	EN61347-1 EN61347-2-13
	Withstand Voltage	I/P-O/P: 3.75KVAC
	Isolation Resistance	I/P-O/P: 100MW / 500VDC / 25°C / 70%RH
	EMC Emission	EN55015 EN61000-3-2 EN61000-3-3
	EMC Immunity	EN61000-4-2,3,4,5,6,11 EN61547
WEIGHTS & DIMENSIONS	Weight	1.45 kg
	Size	265 x 78 x 47mm (LxWxH)
	Carton Size	

# DIMMABLE CONSTANT VOLTAGE LINEAR LED DRIVER

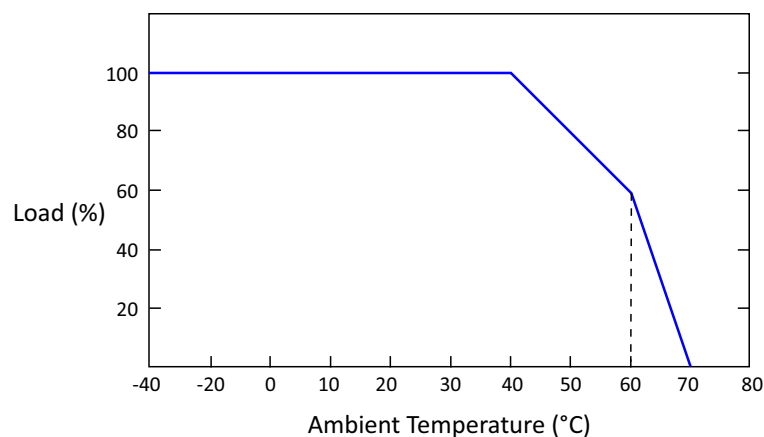
SMT-024-150VTHWH

## Triac (Phase Cut) Dimming Diagram



- TO BE INSTALLED BY A QUALIFIED ELECTRICIAN ONLY
- ENSURE ALL WIRING CONNECTIONS ARE CORRECT BEFORE APPLYING MAINS POWER. FAILURE TO DO SO MAY RESULT IN DAMAGE TO BOTH THE LED DRIVER AND OR LED LIGHTS.

## Temperature De-Rating Curve



- HIGH OPERATING TEMPERATURES WILL DRAMATICALLY REDUCE THE DRIVER'S LIFE. ENSURE ADEQUATE VENTILATION.
- IF OPERATING THE DRIVER IN A HIGH AMBIENT ENVIRONMENT FOLLOW THE ABOVE DE-RATING CURVE.

# DIMMABLE CONSTANT VOLTAGE LINEAR LED DRIVER

SMT-024-150VTHWH

## Mechanical Specification

