

Smart LED Floodlight RGB+CCT 200W

200 WATT

WIDE ANGLE 160°

LL-FL-200W

LINEAR LUX
LED LIGHTING SOLUTIONS



The “SMART” series of LED RGB+CCT floodlights range from 10 to 200W.

RGB colour mixing and white hue adjustment allows the user to select any colour desired. As well as dimming and onboard colour changing programs.

Simple control from either a wireless handheld remote or wallplate, or both. This system also be expanded to allow Mobile App and Zigbee control with added expansion modules.

Up to 8 individual zones can be set for large scale installations

Power

Watts	200 W
Voltage Input	AC100~240V 50/60Hz
Current Input	N/A

Light Output

Colour	Red, Green, Blue (primary colour mix) 2700~6500°K (warm to cool white)
Lumens	17000 LM
Dimmable	0~100% (all colours)
Beam Angle	160°
CRI	>80

Control

Signal Type	2.4GHz Wireless remote control
Control Distance	30m (mesh) Floodlights will transmit the control signal to one another like a mesh network.
Smart Control	WiFi App & Zigbee (requires expansion modules)

Dimensions

Width	360 mm
Height	400 mm
Height (inc bracket)	470 mm
Depth	60 mm

Material

Housing	Aluminium (textured black) Glass
---------	-------------------------------------

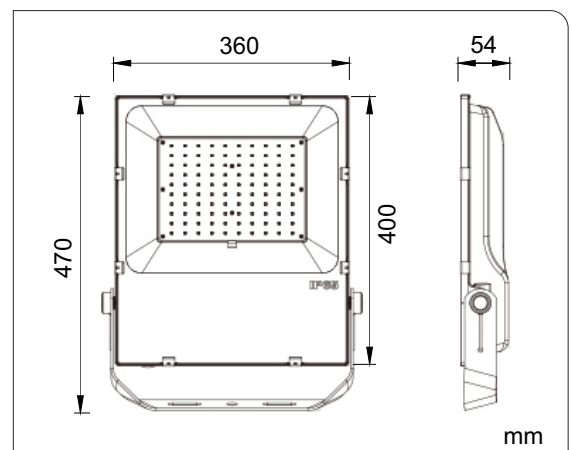
Environmental

Protection	IP65
Working Temperature	-20~+45°C

All data taken @ 25°C



Dimensions



Connection and Control Diagram

