

# Smart LED Floodlight RGB+CCT 10W

10 WATT

WIDE ANGLE 160°

LL-FL-10W

**LINEAR LUX**  
LED LIGHTING SOLUTIONS



The “SMART” series of LED RGB+CCT floodlights range from 10 to 200W.

RGB colour mixing and white hue adjustment allows the user to select any colour desired. As well as dimming and onboard colour changing programs.

Simple control from either a wireless handheld remote or wallplate, or both. This system also be expanded to allow Mobile App and Zigbee control with added expansion modules.

Up to 8 individual zones can be set for large scale installations

## Power

|               |            |
|---------------|------------|
| Watts         | 10 W       |
| Voltage Input | 24 VDC     |
| Current Input | 0.5A @ 24V |

## Light Output

|            |   |
|------------|---|
| Colour     | Red, Green, Blue (primary colour mix)<br>2700~6500°K (warm to cool white) |
| Lumens     | 750~900 LM  |
| Dimmable   | 0~100% (all colours)  |
| Beam Angle | 160°  |
| CRI        | >80   |

## Control

|                  |  |
|------------------|--|
| Signal Type      | 2.4GHz Wireless remote control   |
| Control Distance | 30m (mesh)<br>Floodlights will transmit the control signal to one another like a mesh network. |
| Smart Control    | WiFi App & Zigbee (requires expansion modules)   |

## Dimensions

|                      |        |
|----------------------|--------|
| Width                | 107 mm |
| Height               | 140 mm |
| Height (inc bracket) | 166 mm |
| Depth                | 32 mm  |

## Material

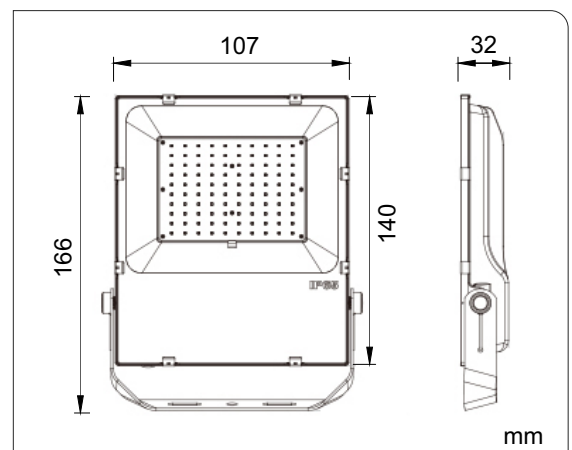
|         |                                     |
|---------|-------------------------------------|
| Housing | Aluminium (textured black)<br>Glass |
|---------|-------------------------------------|

## Environmental

|                     |           |
|---------------------|-----------|
| Protection          | IP65      |
| Working Temperature | -20~+45°C |



## Dimensions



All data taken @ 25°C

# Connection and Control Diagram

