

# Smart LED Floodlight RGB+CCT 100W

100 WATT    WIDE ANGLE 160°  
LL-FL-100W

**LINEAR LUX**  
LED LIGHTING SOLUTIONS



The “SMART” series of LED RGB+CCT floodlights range from 10 to 200W.

RGB colour mixing and white hue adjustment allows the user to select any colour desired. As well as dimming and onboard colour changing programs.

Simple control from either a wireless handheld remote or wallplate, or both. This system also be expanded to allow Mobile App and Zigbee control with added expansion modules.

Up to 8 individual zones can be set for large scale installations

## Power

Watts	100 W
Voltage Input	20~28 VDC
Current Input	4.2A @ 24V

## Light Output

Colour	Red, Green, Blue (primary colour mix) 2700~6500°K (warm to cool white)
Lumens	8500 LM
Dimmable	0~100% (all colours)
Beam Angle	160°
CRI	>80

## Control

Signal Type	2.4GHz Wireless remote control
Control Distance	30m (mesh) Floodlights will transmit the control signal to one another like a mesh network.
Smart Control	WiFi App & Zigbee (requires expansion modules)

## Dimensions

Width	295 mm
Height	345 mm
Height (inc bracket)	403 mm
Depth	54 mm

## Material

Housing	Aluminium (textured black) Glass
---------	-------------------------------------

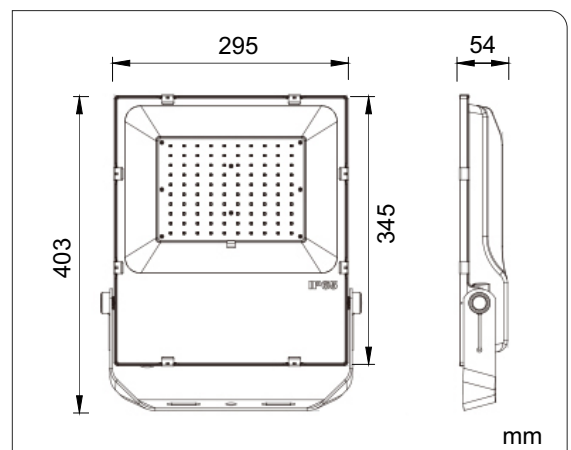
## Environmental

Protection	IP65
Working Temperature	-20~+45°C

All data taken @ 25°C



## Dimensions



# Connection and Control Diagram

