

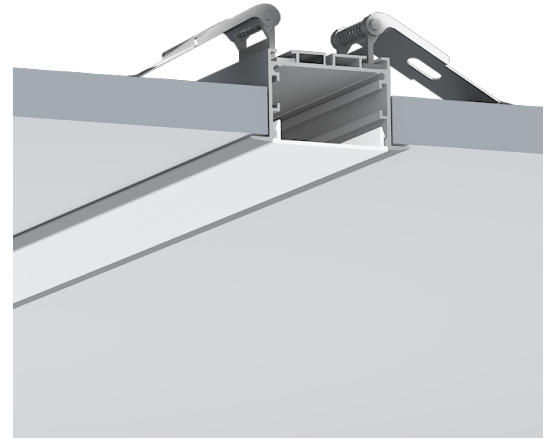
# RECESSED

MEDIUM | CEILING 65x35  
LL-PR-RE-6535



## Type

<b>Mounting</b>	Recessed
<b>Lens (Cover)</b>	Opal (40~30% light transmission) - indent* Diffused (80~70% light transmission) - stocked Clear (95~85% light transmission) - indent*
<b>Profile Colour</b>	Oxidised Silver - stocked Custom Powder Coating - optional*
<b>End Cap Colour</b>	White - stocked Grey - indent* Black - indent* Silver - indent*



## Material

<b>Profile</b>	Aluminium: 6063-T5 Anodised Thickness: 10µm
<b>Cover</b>	Polycarbonate (fire rating: V2) UV Resistant
<b>End Caps</b>	Polycarbonate (fire rating: V2) UV Resistant
<b>Mounting Brackets</b>	Stainless Steel

## Dimensions

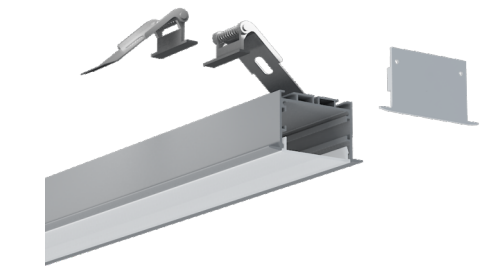
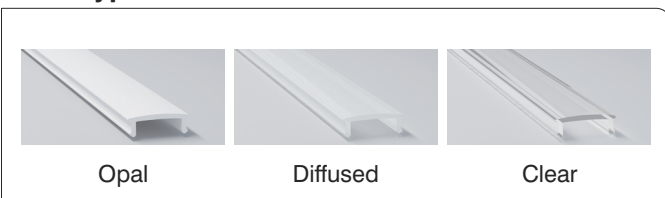
<b>Width (outer)</b>	65.0 mm
<b>Height (outer)</b>	35.0 mm
<b>Width (inner)</b>	50.0 mm
<b>Length</b>	3 m
<b>Max LED tape width</b>	39.0 mm

## Accessories

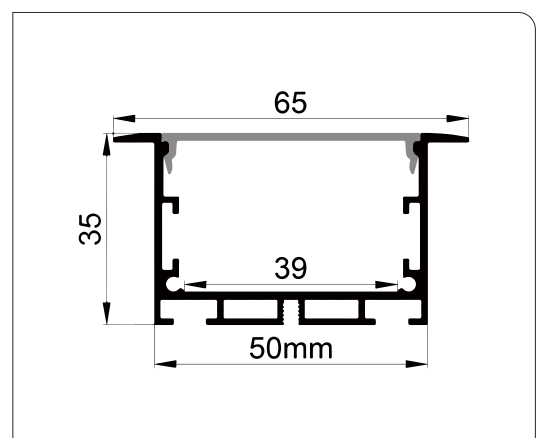
<b>Mounting Clips</b>	6 each
<b>End Caps</b>	3 pairs (3x with cable entry, 3x blank)

\*indent - not stocked (lead times apply)

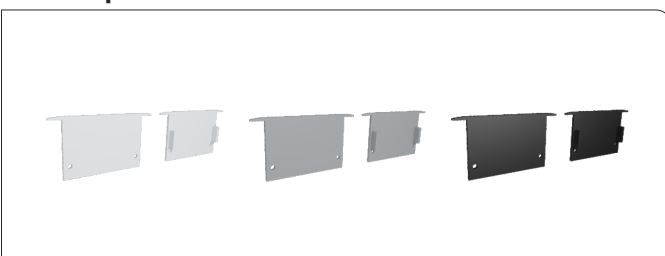
## Lens Types



## Profile Dimensions



## End Cap



## Mounting Clip

