

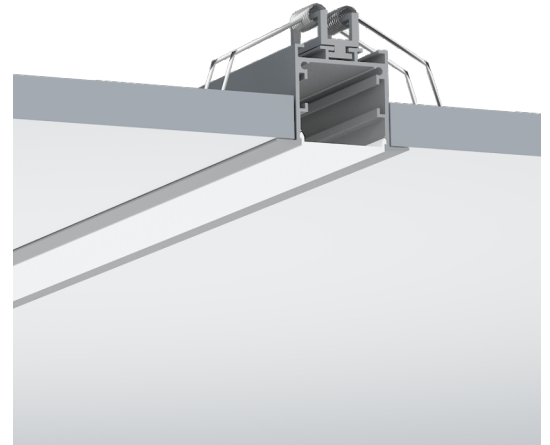
# RECESSED

MEDIUM | CEILING 50x35  
LL-PR-RE-3525



## Type

<b>Mounting</b>	Recessed
<b>Lens (Cover)</b>	Opal (40~30% light transmission) - stocked Diffused (80~70% light transmission) - indent* Clear (95~85% light transmission) - indent*
<b>Profile Colour</b>	Oxidised Silver - stocked Custom Powder Coating - optional*
<b>End Cap Colour</b>	White - stocked Grey - indent* Black - indent* Silver - indent*



## Material

<b>Profile</b>	Aluminium: 6063-T5 Anodised Thickness: 10µm
<b>Cover</b>	Polycarbonate (fire rating: V2) UV Resistant
<b>End Caps</b>	Polycarbonate (fire rating: V2) UV Resistant
<b>Mounting Brackets</b>	Stainless Steel

## Dimensions

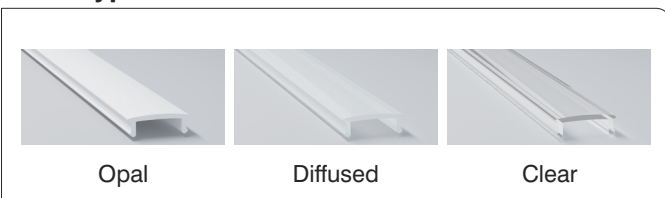
<b>Width (outer)</b>	50.0 mm
<b>Height (outer)</b>	35.0 mm
<b>Width (inner)</b>	35.0 mm
<b>Length</b>	3 m
<b>Max LED tape width</b>	24.0 mm

## Accessories

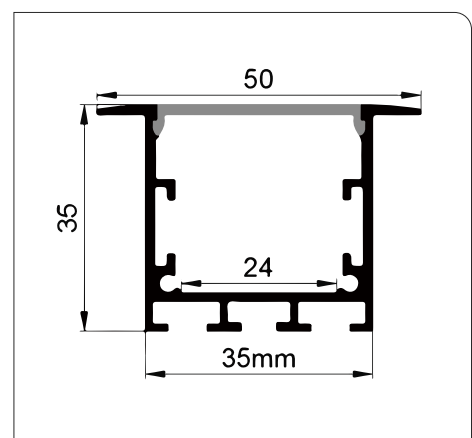
<b>Mounting Clips</b>	6 each
<b>End Caps</b>	3 pairs (3x with cable entry, 3x blank)

\*indent (not stocked - special order)

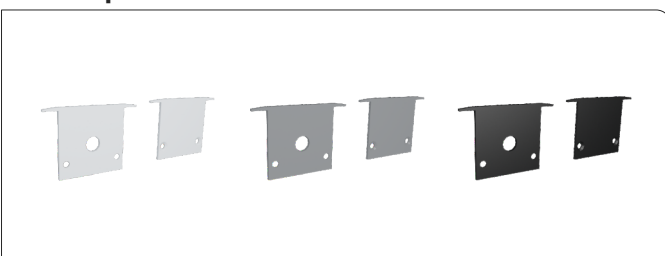
## Lens Types



## Profile Dimensions



## End Cap



## Mounting Clip

