



Type

Mounting	Floor
Lens (Cover)	Opal (40~30% light transmission) - stocked Diffused (80~70% light transmission) - indent* Clear (95~85% light transmission) - indent*
Profile Colour	Oxidised Silver - stocked Custom Powder Coating - optional*
End Cap Colour	White - stocked Grey - indent* Black - indent* Silver - indent*

Material

Profile	Aluminium: 6063-T5 Anodised Thickness: 10µm
Cover	Polycarbonate (fire rating: V2) UV Resistant
End Caps	Polycarbonate (fire rating: V2) UV Resistant
Mounting Brackets	Stainless Steel

Dimensions

Width (outer)	27.0 mm
Height (outer)	11.0 mm
Width (inner)	21.2 mm
Length	3 m
Max LED tape width	12.0 mm

Accessories

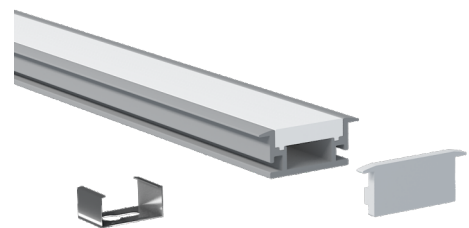
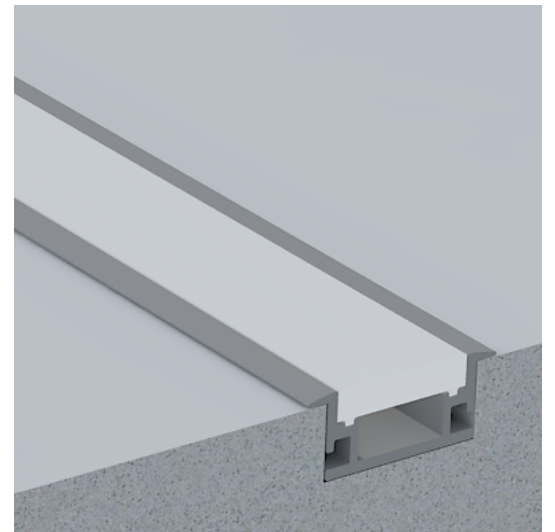
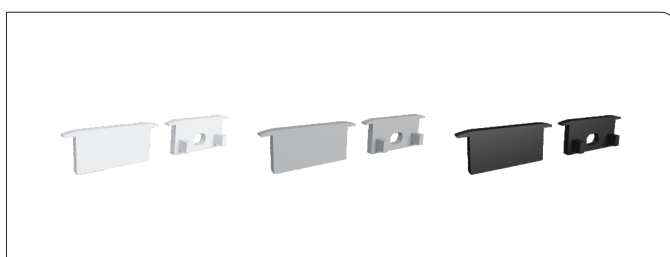
Mounting Clips	6 each
End Caps	3 pairs (3x with cable entry, 3x blank)

*indent (not stocked - special order)

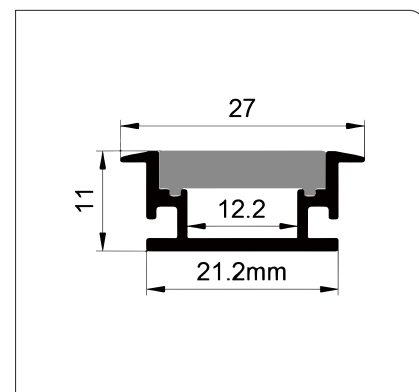
Lens Types



End Cap



Profile Dimensions



Mounting Clip

