

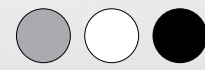
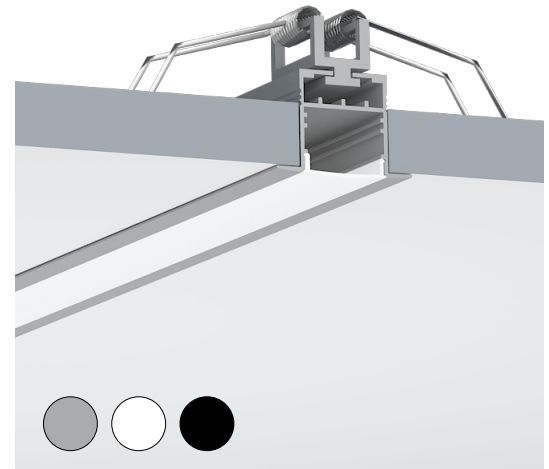
# RECESSED

MEDIUM | CEILING 35x25  
LL-PR-RE-3525



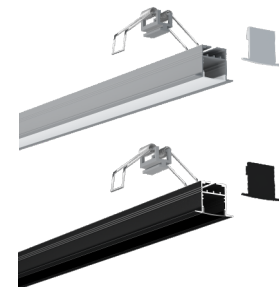
## Type

<b>Mounting</b>	Recessed - Ceiling Mount
<b>Lens (Cover)</b>	Opal (40~30% light transmission) - stocked Diffused (80~70% light transmission) - optional Clear (95~85% light transmission) - optional*
<b>Profile Colour</b>	Anodised Silver - stocked Anodised Black - stocked Painted White - Indent Custom Powder Coating - optional*
<b>End Cap Colour</b>	White - stocked Grey - optional* Black - Stocked Silver - optional*



## Material

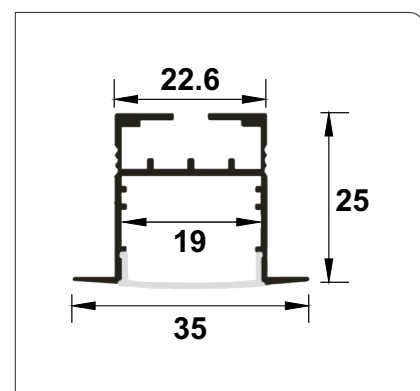
<b>Profile</b>	Aluminium: 6063-T5 Anodised Thickness: 10µm
<b>Cover</b>	Polycarbonate (fire rating: V2) UV Resistant
<b>End Caps</b>	Polycarbonate (fire rating: V2) UV Resistant
<b>Mounting Brackets</b>	Stainless Steel



## Dimensions

<b>Width (outer)</b>	35.0 mm
<b>Height (outer)</b>	25.0 mm
<b>Width (inner)</b>	19 mm
<b>Length</b>	2 m
<b>Max LED tape width</b>	18.0 mm

## Profile Dimensions

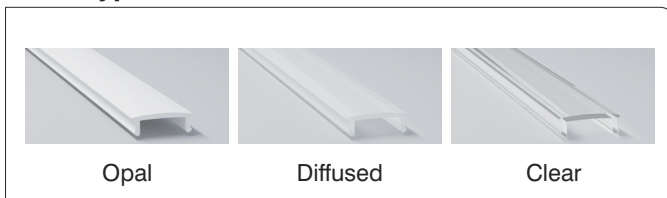


## Accessories

<b>Mounting Clips</b>	4 each
<b>End Caps</b>	2 pairs (2x with cable entry, 2x blank)

\*MOQ / lead-time may apply

## Lens Types



## End Cap



## Mounting Clip

