

DIMMABLE CONSTANT VOLTAGE LINEAR LED DRIVER

TRIAC (PHASE CUT)
0~10V / 1~10V
POTENTIOMETER
10V PWM

SMT-XXX-100VTDSPH

100W

LINEAR LUX
LED LIGHTING SOLUTIONS

- Constant voltage 12/24VDC
- Dimming range: 0~100% / Load: 10~100%
- Dimming type: Triac /phase cut, (leading or trailing edge dimmers), 0~10V, 1~10V, potentiometer or 10V PWM
- PWM output
- Flicker free
- 7 year warranty
- Cooling by free air convection
- IP20 (indoor use only)
- Built-in PFC



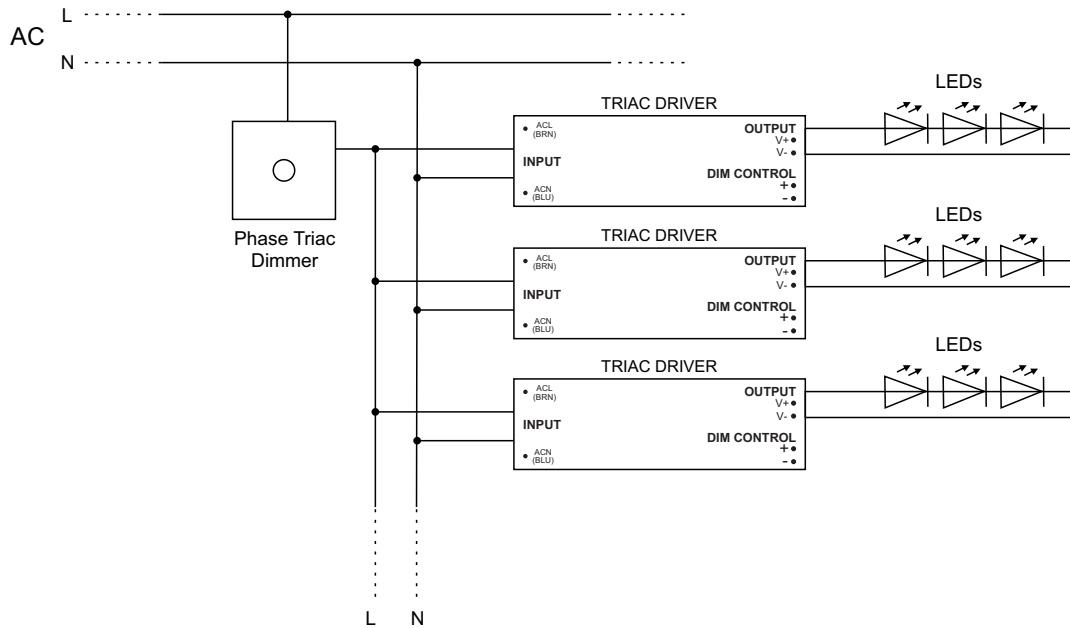
SMT-012-100VTDSPH / LMVT-100-12 SMT-024-100VTDSPH / LMVT-100-24

	12 VDC	24 VDC	
OUTPUT	Voltage	12 VDC	24 VDC
	Voltage Tolerance		± 5%
	Rated Power		100 W
	Rated Current	8.33 A	4.16 A
	Voltage Regulation		± 0.5%
	Load Regulation		± 2%
INPUT	Voltage	200-240 VAC	
	Frequency Range	47-63 Hz	
	Power Factor (Typ.)	PF ≥0.96 / 230 VAC	
	Full Load Efficiency	85%	87%
	THD (Typ.) @ Full Load	< 10%	
	AC Current (Typ.)	0.5 A	
	Inrush Current (Typ.)	72A, 50%, 116µs	
	Leakage Current (Typ.)	<0.5mA	
PROTECTION	Short Circuit	Shut down output voltage, repower to recover after fault removed	
	Over Load	≤ 120% hiccup mode, recovers automatically after fault removed	
	Over Temperature	T _c ≥ 100°C ±10°C	
	Protection Class	II	
ENVIRONMENT	Operating Temperature	-40 - +60°C see derating curve	
	Operating Humidity	20 - 95% RH, non condensing	
	Storage Temperature	-40 - +80°C see derating curve	
	Storage Humidity	10 - 95% RH, non condensing	
	Temp. Coefficient	± 0.03% / °C (0-50°C)	
	Vibration	10 - 500Hz, 2G 10min./1 cycle period for 60min, each along X, Y & Z axes	
SAFETY & EMC	Safety Standards	EN61347-1 EN61347-2-13 EN62493	
	Withstand Voltage	I/P-O/P: 3.75KVAC	
	Isolation Resistance	I/P-O/P: 100MW / 500VDC / 25°C / 70%RH	
	EMC Emission	EN55015 EN61000-3-2 EN61000-3-3	
	EMC Immunity	EN61000-4-2,3,4,5,6,11 EN61547	
WEIGHTS & DIMENSIONS	Weight	0.4 kg	
	Size	330 x 30 x 22mm (LxWxH)	
	Carton Size	330 x 330 x 145mm (LxWxH) 50pcs/CTN G.W.: 21kg/CTN	

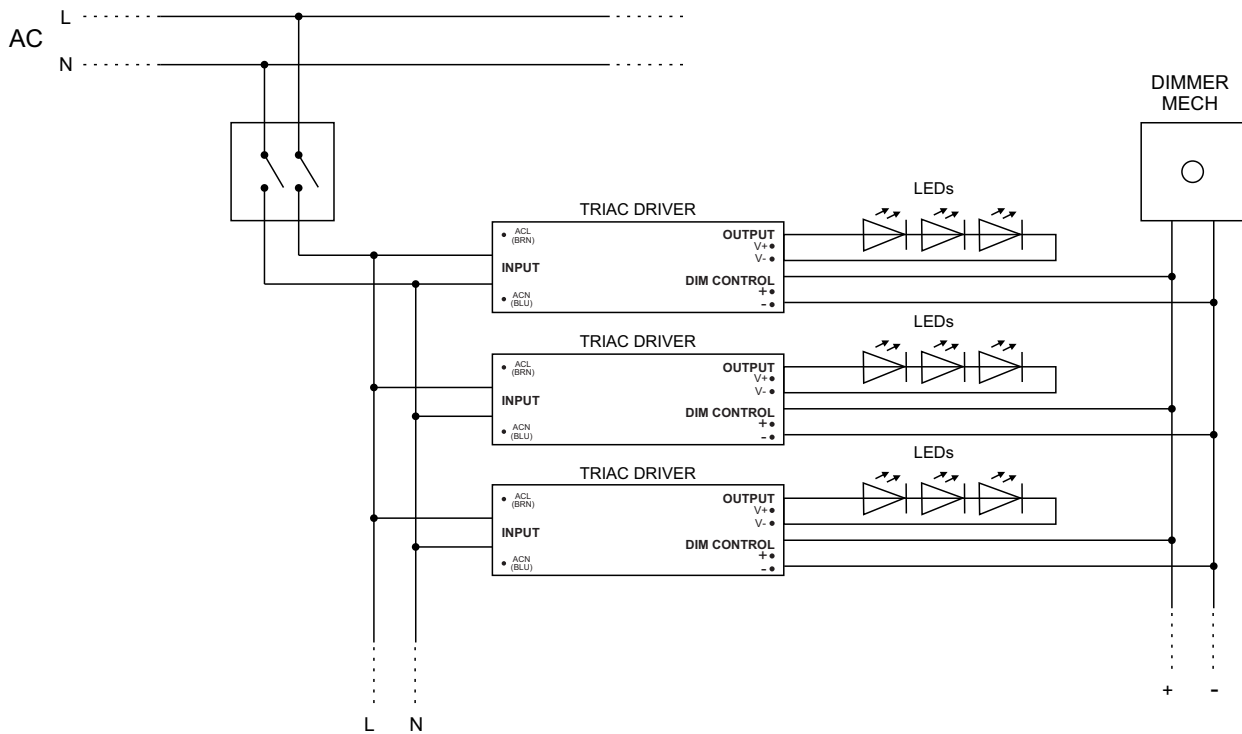
DIMMABLE CONSTANT VOLTAGE LINEAR LED DRIVER

SMT-XXX-100VTDSPH

Triac (Phase Cut) Dimming Diagram



0/1~10V, Potentiometer, 10V PWM Signal Dimming Diagram

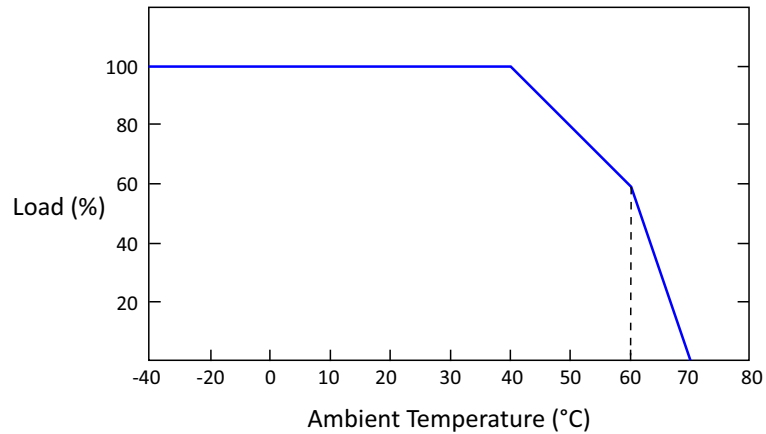


- TO BE INSTALLED BY A QUALIFIED ELECTRICIAN ONLY
- ENSURE ALL WIRING CONNECTIONS ARE CORRECT BEFORE APPLYING MAINS POWER. FAILURE TO DO SO MAY RESULT IN DAMAGE TO BOTH THE LED DRIVER AND OR LED LIGHTS.

DIMMABLE CONSTANT VOLTAGE LINEAR LED DRIVER

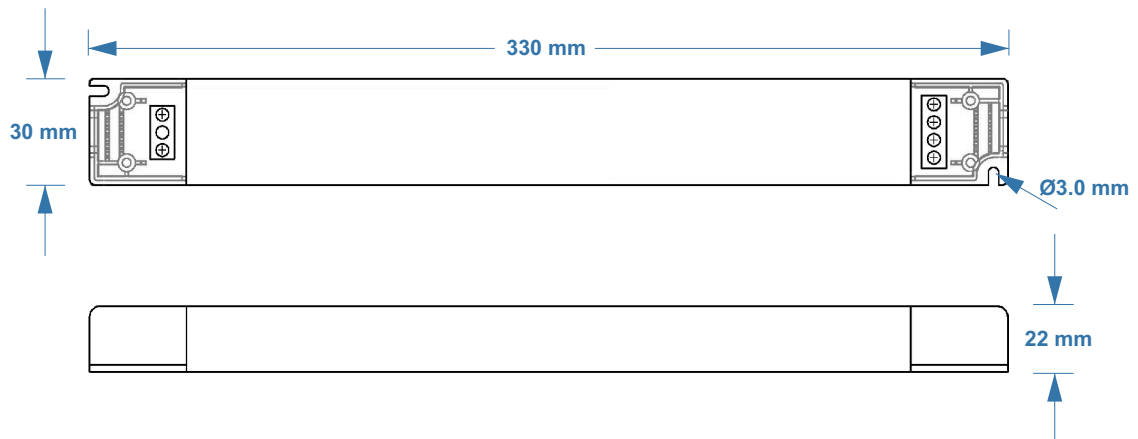
SMT-XXX-100VTDSPH

Temperature De-Rating Curve



- HIGH OPERATING TEMPERATURES WILL DRAMATICALLY REDUCE THE DRIVER'S LIFE. ENSURE ADEQUATE VENTILATION.
- IF OPERATING THE DRIVER IN A HIGH AMBIENT ENVIRONMENT FOLLOW THE ABOVE DE-RATING CURVE.

Mechanical Specification



Suggested Wire Sizes

- **Input Terminals:** 0.75 ~ 2.5mm²
- **Output Terminals:** 0.5 ~ 2.5mm²
- **Dimming Terminals:** 0.5 ~ 2.5mm²