

# DIMMABLE CONSTANT VOLTAGE LINEAR LED DRIVER

TRIAC (PHASE CUT)  
0~10V / 1~10V  
POTENTIOMETER  
10V PWM

SMT-XXX-036VTDSPH

## 36W

**LINEAR LUX**  
LED LIGHTING SOLUTIONS

- Constant voltage 12/24VDC
- Dimming range: 0~100% / Load: 10~100%
- Dimming type: Triac /phase cut, (leading or trailing edge dimmers), 0~10V, 1~10V, potentiometer or 10V PWM
- PWM output
- Flicker free
- 7 year warranty
- Cooling by free air convection
- IP20 (indoor use only)
- Built-in PFC

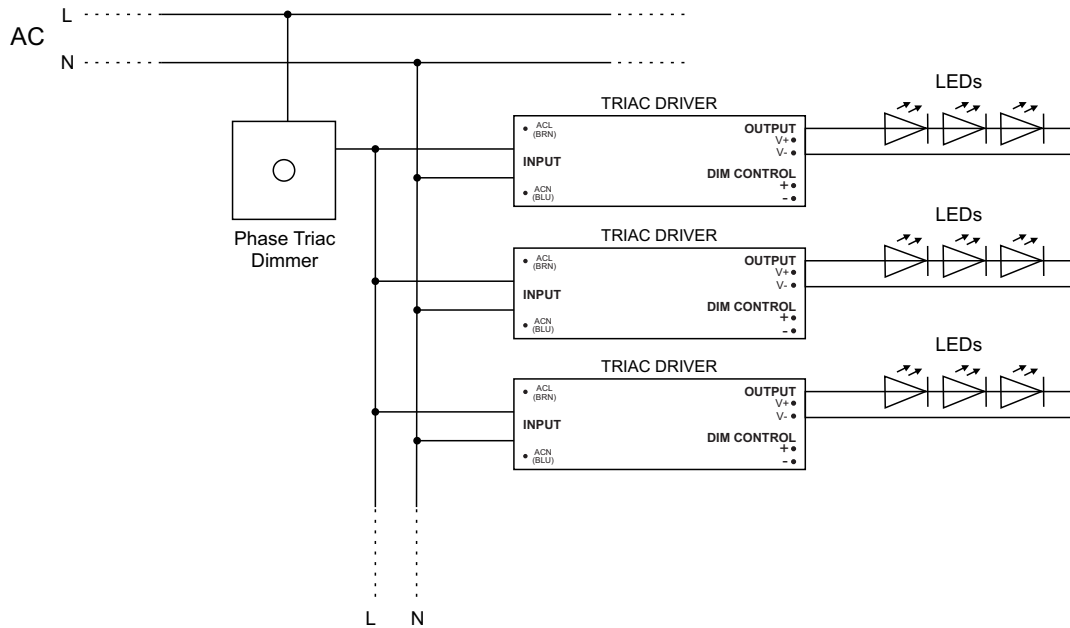


	SMT-012-036VTDSPH	SMT-024-036VTDSPH	
OUTPUT	Voltage	12 VDC	24 VDC
	Voltage Tolerance		± 5%
	Rated Power		36 W
	Rated Current	3.0 A	1.5 A
	Voltage Regulation		± 5%
	Load Regulation		± 1%
INPUT	Voltage	200-240 VAC	
	Frequency Range	47 - 63 Hz	
	Power Factor (Typ.)	PF≥0.96/230VAC	
	Full Load Efficiency	80%	79%
	THD (Typ.) @ Full Load	< 20%	
	AC Current (Typ.)	0.3 A	
	Inrush Current (Typ.)	40.8A, 50%, 102μs	
	Leakage Current (Typ.)	<0.5mA	
PROTECTION	Short Circuit	Shut down output voltage, repower to recover after fault removed	
	Over Load	≤ 120% hiccup mode, recovers automatically after fault removed	
	Over Temperature	T <sub>c</sub> ≥ 100°C ±10°C	
	Protection Class	II	
ENVIRONMENT	Operating Temperature	-40 - +60°C see derating curve	
	Operating Humidity	20 - 95% RH, non condensing	
	Storage Temperature	-40 - +80°C see derating curve	
	Storage Humidity	10 - 95% RH, non condensing	
	Temp. Coefficient	± 0.03% / °C (0-50°C)	
	Vibration	10 - 500Hz, 2G 10min./1 cycle period for 60min, each along X, Y & Z axes	
SAFETY & EMC	Safety Standards	EN61347-1 EN61347-2-13 EN62493	
	Withstand Voltage	I/P-O/P: 3.75KVAC	
	Isolation Resistance	I/P-O/P: 100MW / 500VDC / 25°C / 70%RH	
	EMC Emission	EN55015 EN61000-3-2 EN61000-3-3	
	EMC Immunity	EN61000-4-2,3,4,5,6,11 EN61547	
WEIGHTS & DIMENSIONS	Weight	0.4 kg	
	Size	260 x 30 x 18.5mm (LxWxH)	
	Carton Size	330 x 275 x 130mm (LxWxH) 50pcs/CTN G.W.: 11kg/CTN	

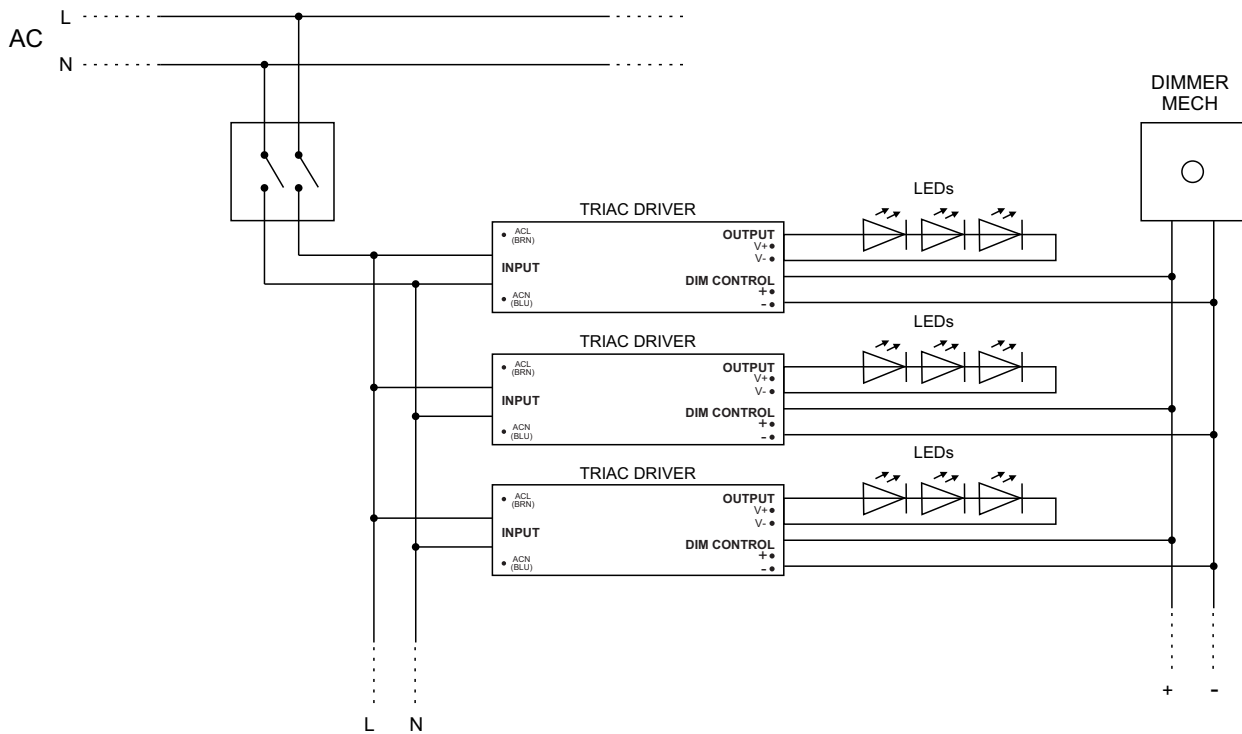
# DIMMABLE CONSTANT VOLTAGE LINEAR LED DRIVER

SMT-XXX-036VTDSPH

## Triac (Phase Cut) Dimming Diagram



## 0/1~10V, Potentiometer, 10V PWM Signal Dimming Diagram



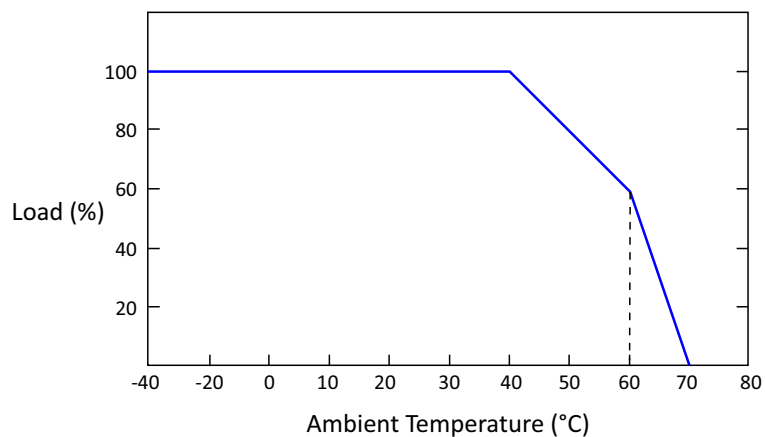
- TO BE INSTALLED BY A QUALIFIED ELECTRICIAN ONLY
- ENSURE ALL WIRING CONNECTIONS ARE CORRECT BEFORE APPLYING MAINS POWER. FAILURE TO DO SO MAY RESULT IN DAMAGE TO BOTH THE LED DRIVER AND OR LED LIGHTS.

# DIMMABLE CONSTANT VOLTAGE LINEAR LED DRIVER

SMT-XXX-036VTDSPH

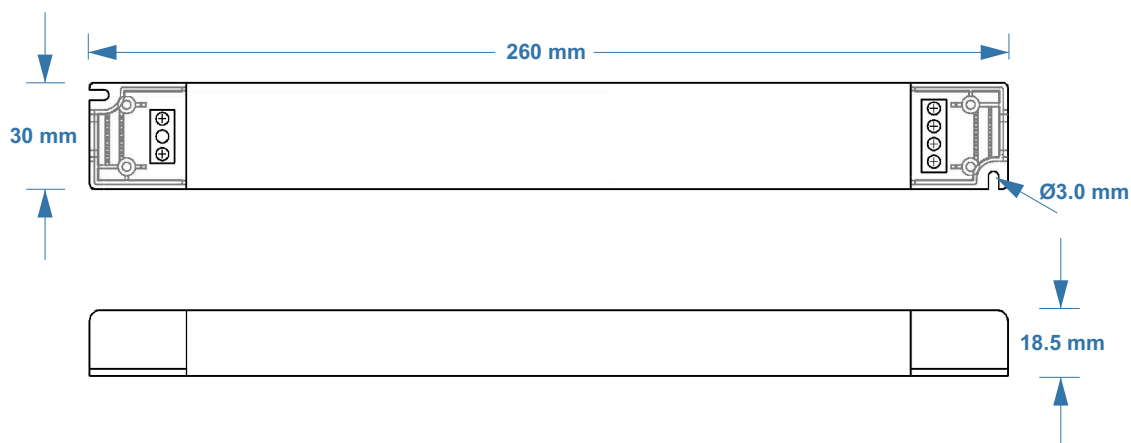
**LINEAR LUX**  
LED LIGHTING SOLUTIONS

## Temperature De-Rating Curve



- HIGH OPERATING TEMPERATURES WILL DRAMATICALLY REDUCE THE DRIVER'S LIFE. ENSURE ADEQUATE VENTILATION.
- IF OPERATING THE DRIVER IN A HIGH AMBIENT ENVIRONMENT FOLLOW THE ABOVE DE-RATING CURVE.

## Mechanical Specification



## Suggested Wire Sizes

- **Input Terminals:** 0.75 ~ 2.5mm<sup>2</sup>
- **Output Terminals:** 0.5 ~ 2.5mm<sup>2</sup>
- **Dimming Terminals:** 0.5 ~ 2.5mm<sup>2</sup>