



Type

Mounting	Hanging
Lens (Cover)	Opal (40~30% light transmission) - stocked Diffused (80~70% light transmission) Black
Profile Colour	Clear Silver (Anodised) - stocked Black (Anodised) - stocked White (Powder Coated) - optional* Custom Powder Coating - optional*
End Cap Colour	White - stocked Grey - optional* Black - stocked Silver - optional*

Material

Profile	Aluminium: 6063-T5 Anodised Thickness: 10µm
Cover	Polycarbonate (fire rating: V2) UV Resistant
End Caps	Polycarbonate (fire rating: V2) UV Resistant
Pendant Kit	Stainless Steel

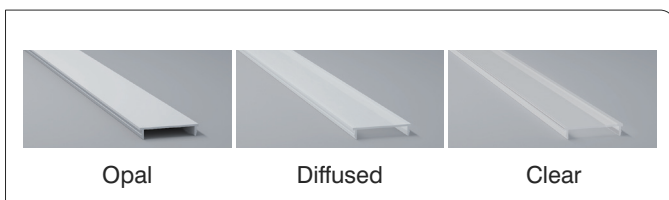
Dimensions

Width (outer)	35.0 mm
Height (outer)	35.0 mm
Width (inner)	24.0 mm
Length	2 m
Max LED tape width	24.0 mm

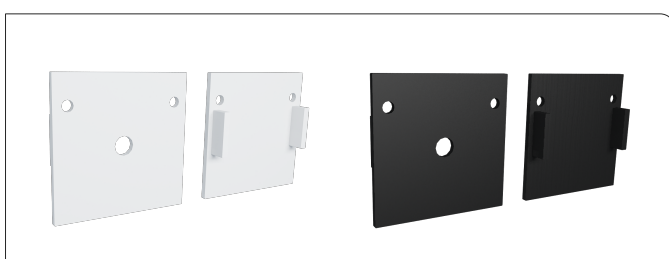
Accessories

Pendant Kit	Hanging Wire Kit
End Caps	3 pairs (3x with cable entry, 3x blank)

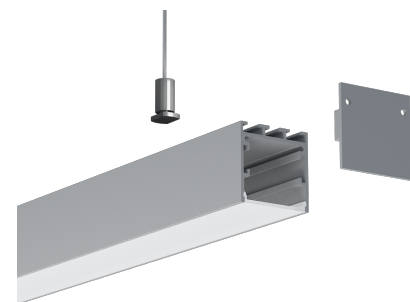
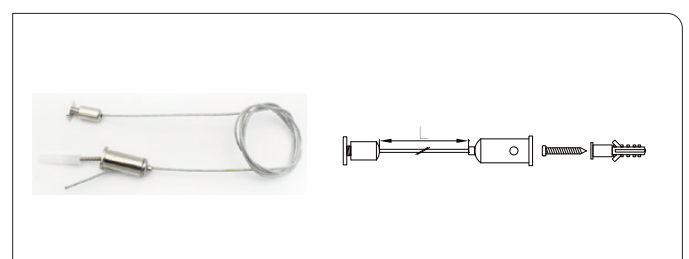
Lens Types



End Cap



Mounting Clip



Profile Dimensions

