



Type

Mounting	Corner
Lens (Cover)	Opal (40~30% light transmission) - stocked Diffused (80~70% light transmission) - optional* Clear (95~85% light transmission) - optional*
Profile Colour	Oxidised Silver - stocked Custom Powder Coating - optional*
End Cap Colour	White - stocked Grey - optional* Black - optional* Silver - optional*

Material

Profile	Aluminium: 6063-T5 Anodised Thickness: 10µm
Cover	Polycarbonate (fire rating: V2) UV Resistant
End Caps	Polycarbonate (fire rating: V2) UV Resistant
Mounting Brackets	Stainless Steel

Dimensions

Width (outer)	19.5 mm
Height (outer)	24.0 mm
Width (inner)	14.5 mm
Length	3 m
Max LED tape width	14.00 mm

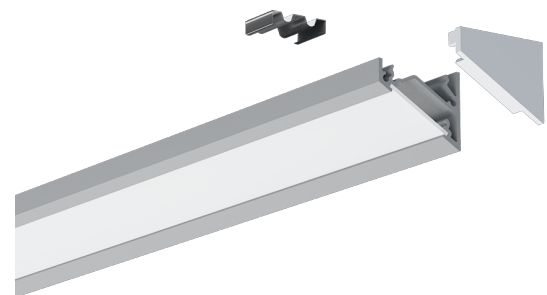
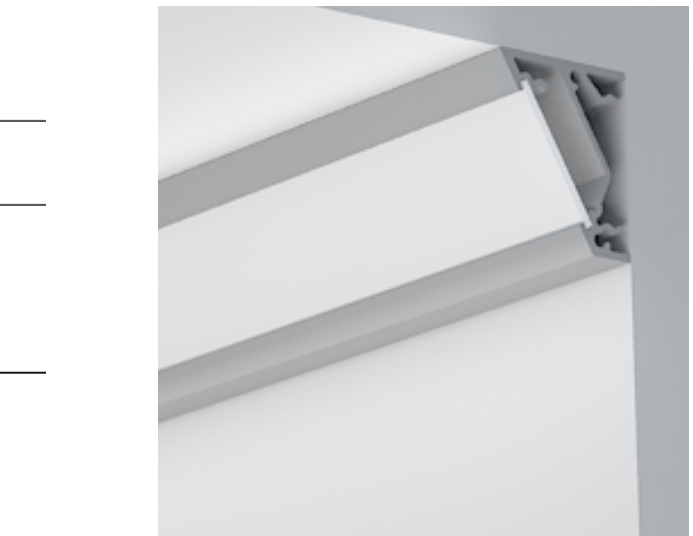
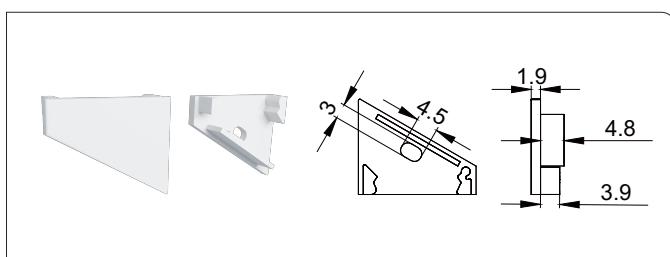
Accessories

Mounting Clips	6 each
End Caps	3 pairs (3x with cable entry, 3x blank)

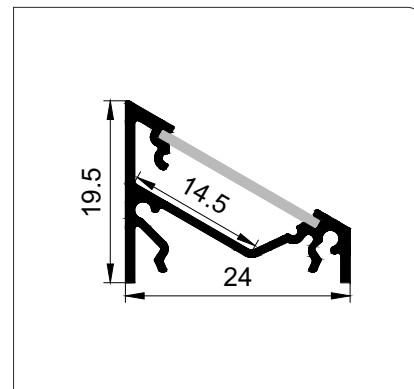
Lens Types



End Cap



Profile Dimensions



Mounting Clip

