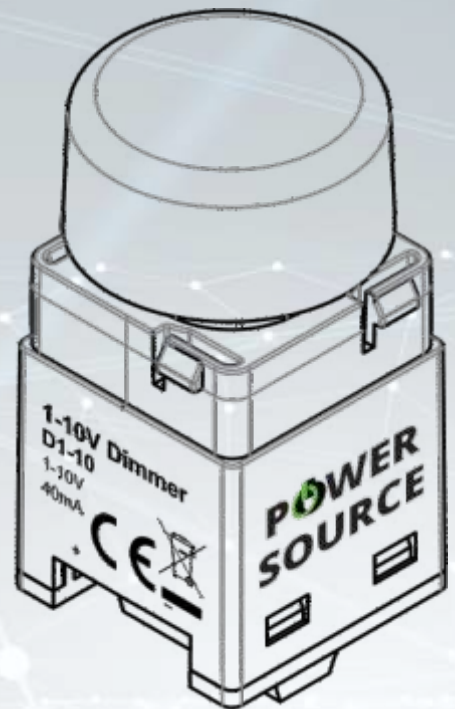
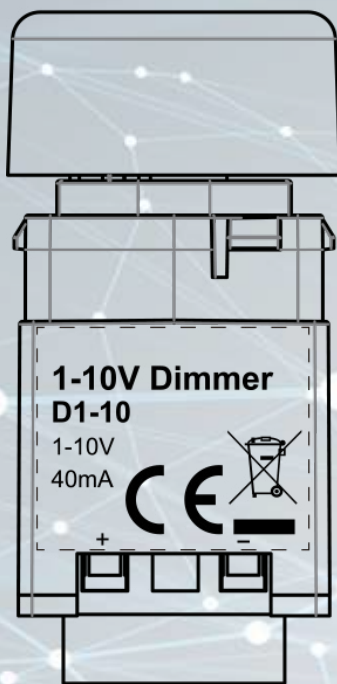


POWER SOURCE



1-10V Dimmer D1-10

**1 YEAR
WARRANTY**

Features of the Dimmer D1-10 Series



Easy
Installation



Controls up to
30 LED Drivers



Dimming Range
10-100%



Operating
Temp: 0-50 C

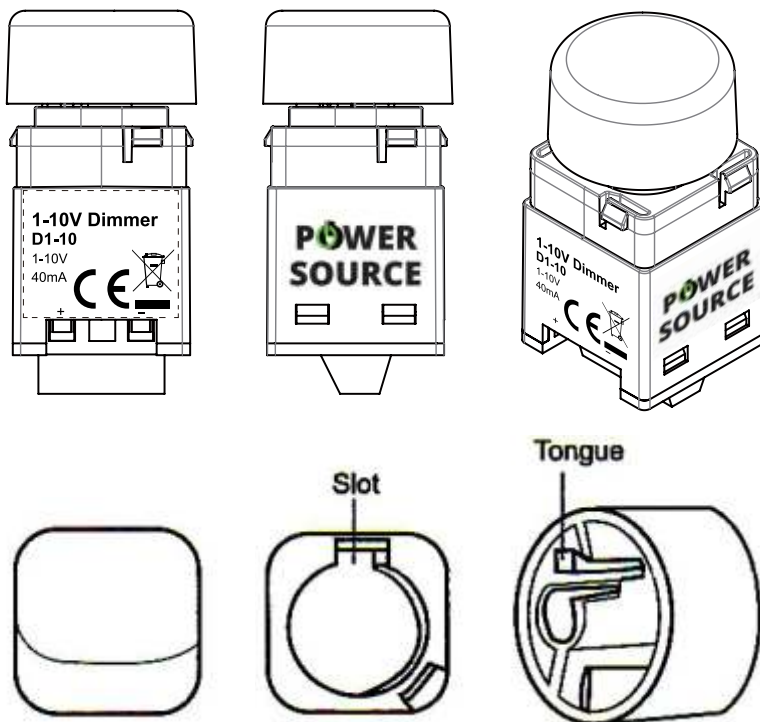


Compatible with
Most Light Switch
Wall Plates

Dimmer for 110V & 0-10V LED Drivers

Specifications

Working ambient temperature: 0 ~ 50°C.
Max LED drivers per D1-10 dimmer: 30.
Connection type: Screw terminals.
Dimensions: 22.5 x 22.5 x 48.6mm.
Weight: 19g.



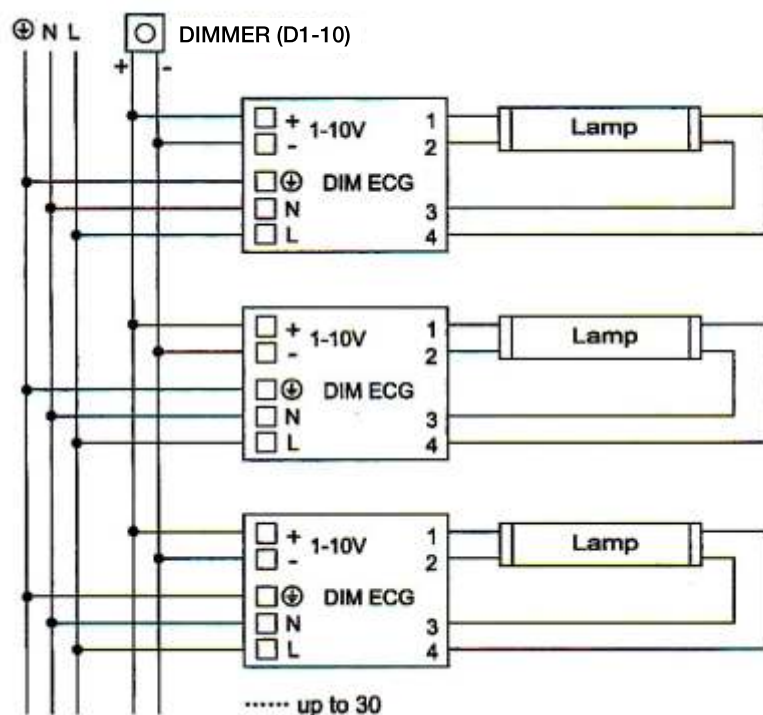
To Set Minimum Brightness

Switch on power after dimmer is properly wired and mounted.

Turn the dimmer until the desired minimum brightness is obtained.

Insert the knob cover with the tongue on the knob (see illustration right) lines up with the slot on the dimmer.

Wiring Diagram



Important Warning

Disconnect power before installation.

Two or more dimmers cannot be connected in parallel, or series to control the same load.

Ensure the positive and negative connections have been made correctly.