

## Model No.: DL1 DALI LED Controller

### Features

Adopt newest DALI standard IEC62386 protocol, compatible with all kinds of DALI devices to fulfill one bus-mastering, and to fulfill the combination of LED lighting and traditional lighting into a whole lighting system. One channel constant voltage output, max output 12A. Support DALI signal transmitting to 0~10V signal, support Push dimming. Dimming softly, strong compatibility.

### Parameter

Model No.: DL1

Input Voltage: DC 12~24V

Output Current: Max 12A

Working Temperature: -20 ~ 60°C

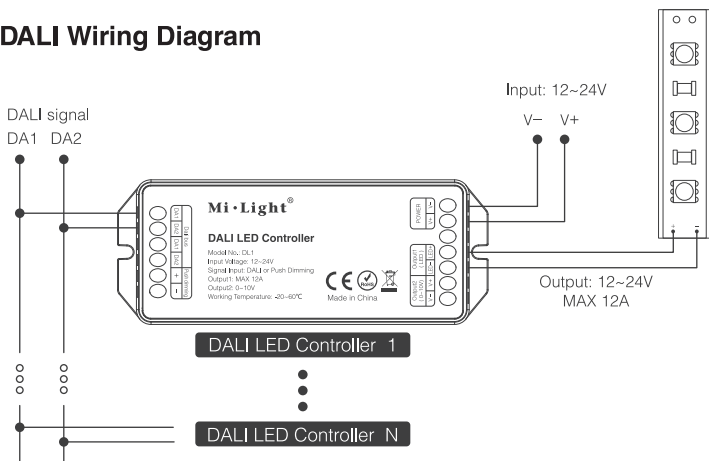
Standard Protocol: IEC62386

Signal Input: DALI Dimming Signal / Push dimming

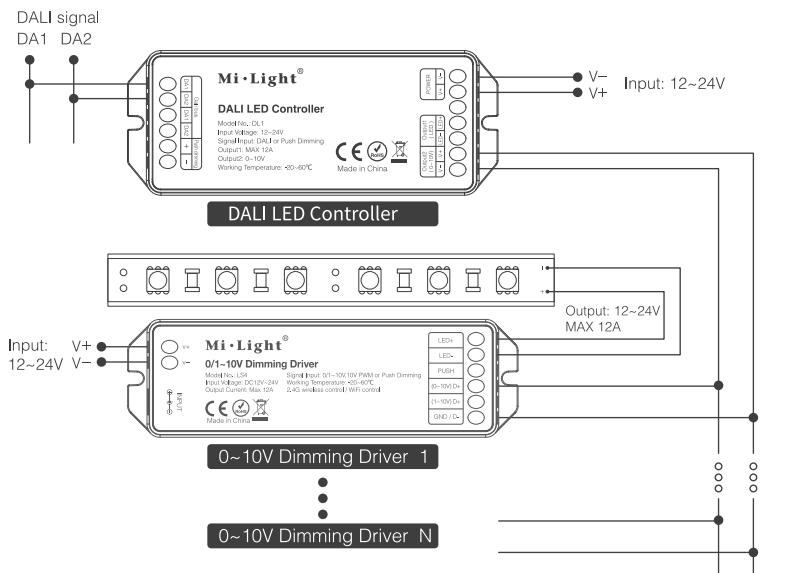
Dimming Range: 0~100%



### DALI Wiring Diagram

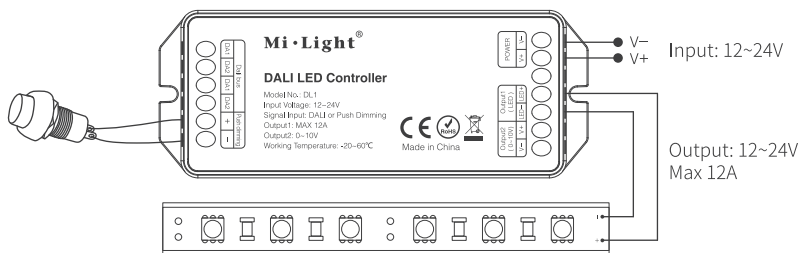


## Support DALI signal transmitting to 0~10V Control, Wiring diagram as below:



## Push Dimming Wiring Diagram

Dimming Method: Short press to turn on/off the light; long press to change the brightness.



## Installation Notice:

1. Pls read the wiring diagram carefully before installation
2. Pls down the wire connector, then insert the plug in the cable connection; Pls check if the cable is stable after connection.
3. Pls check the cable connection before switching on the power.
4. Pls keep the good ventilation condition to lengthen the lifespan of the controller.



Made in China